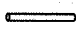
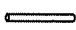




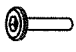







# BILUS

Schwarzglas  
Artikel Nr : 14105

| CODE | COMPONENT   | NAME OF COMPONENT         | PIECE |
|------|---|---------------------------|-------|
| A    |    | 28 cm aluminium component | 4     |
| B    |    | 17 cm aluminium component | 8     |
| C    |    | 40 mm stand               | 4     |
| D    |    | 40 mm flange (short)      | 28    |
| E    |    | Anchor                    | 4     |
| F    |   | 16 mm countersunk comp.   | 4     |
| G    |  | Allen puller              | 4     |
| H    |  | 5 mm allen                | 1     |
| I    |  | 590*480(mm) black glass   | 4     |
| J    |  | 490*(280/170)(mm) backing | 1+2   |
| K    |  | Strip                     | 12    |
| L    |  | Cable hole                | 3     |

VCM Morgenthaler GmbH  
D- 79365 Rheinhausen  
service.moebel@vcm-gruppe.de  
www.vcm-gruppe.de

**VCM.**  
seit 30 Jahren