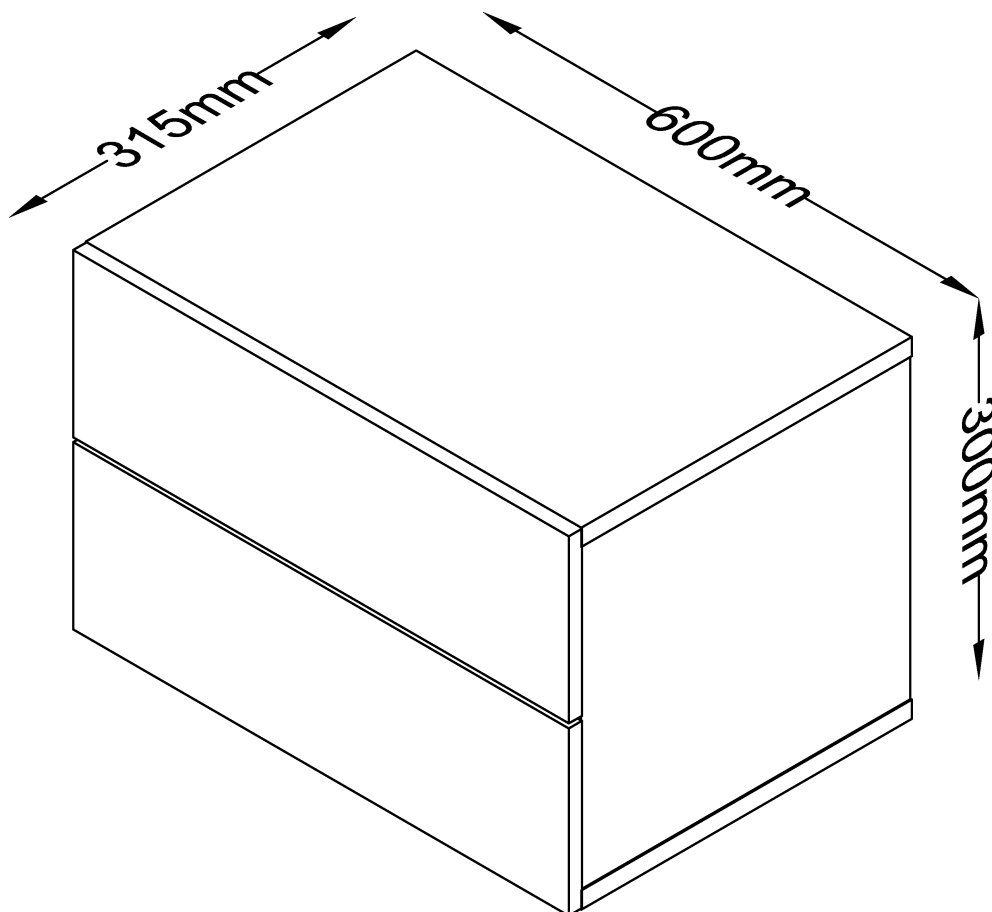


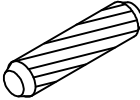

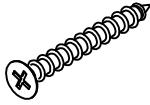
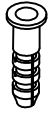


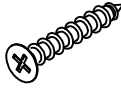


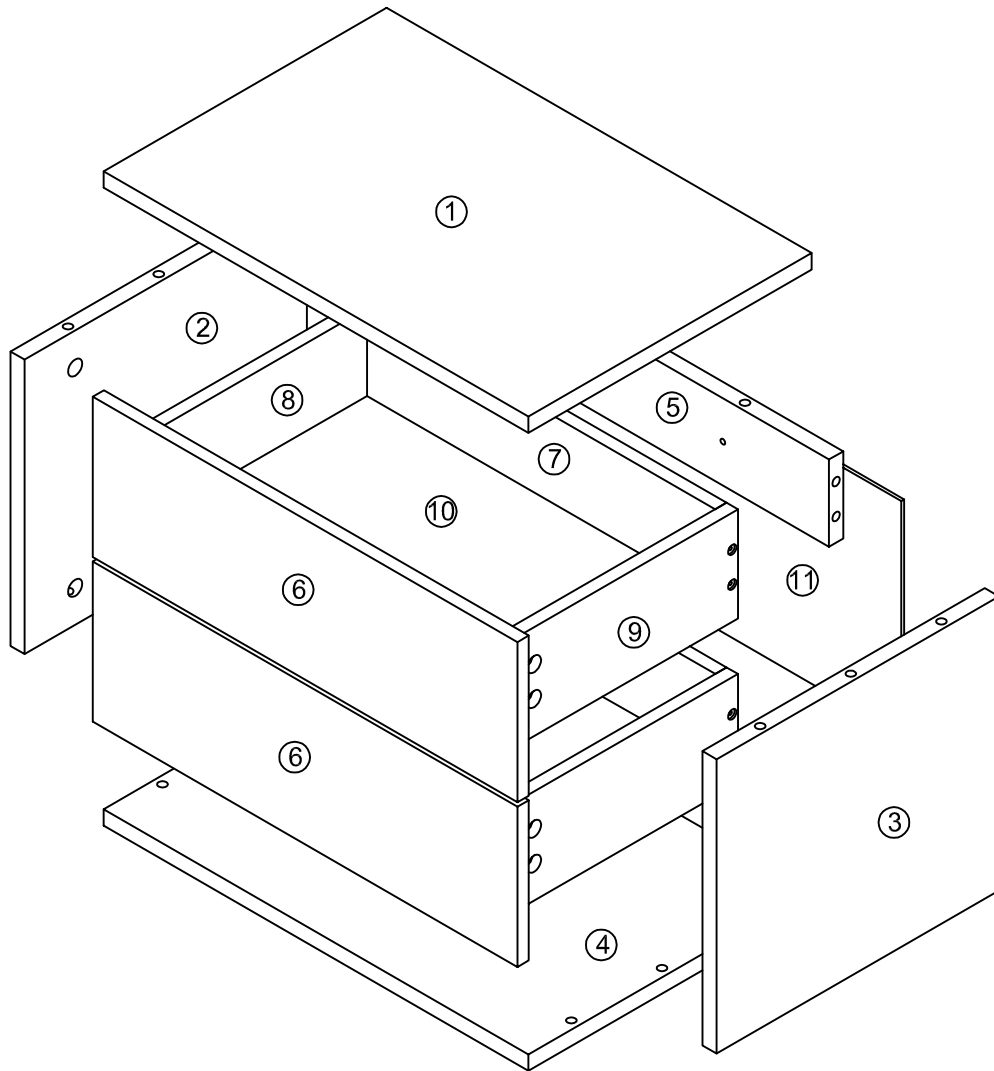


Wandschublade Usal L 60
Montageanleitung
Instruction manual

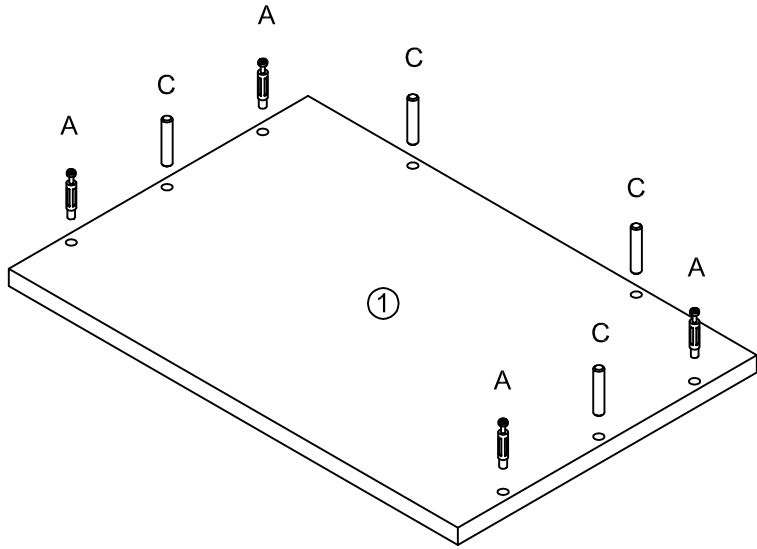
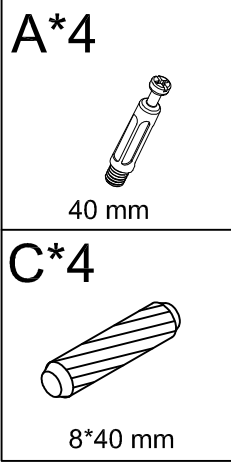


VCM Morgenthaler GmbH
D-79346 Endingen am Kaiserstuhl
service@vcm-gruppe.de
www.vcm-gruppe.de

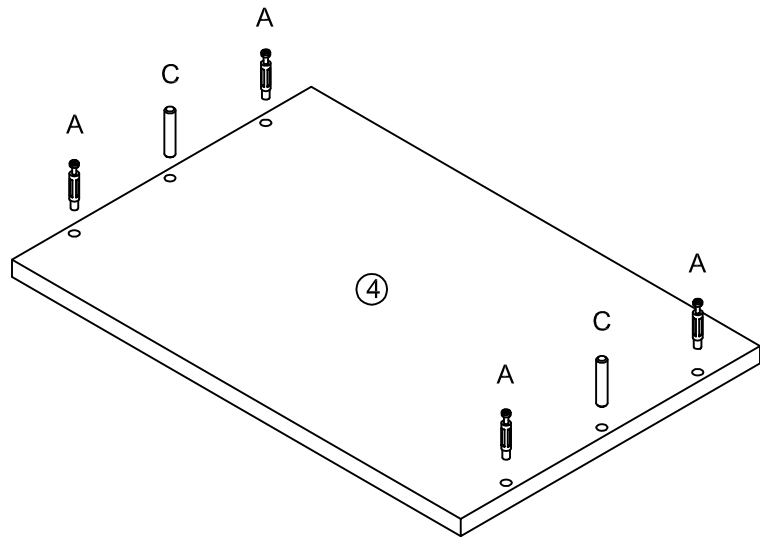
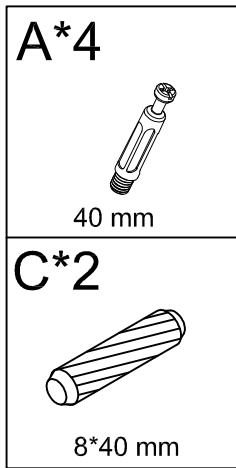
| | | | | |
|---|---|--|--|---|
| <p>A*20</p>  <p>40 mm</p> | <p>B*20</p>  <p>15*9 mm</p> | <p>C*6</p>  <p>8*40 mm</p> | <p>D*16</p>  <p>3.5*12mm</p> | <p>E*2</p>  <p>4*50mm</p> |
| <p>F*2</p>  <p>8*60mm</p> | <p>G*2</p>  <p>250 mm</p> | <p>H*6</p>  | <p>I*8</p>  <p>3.5*30 mm</p> | |



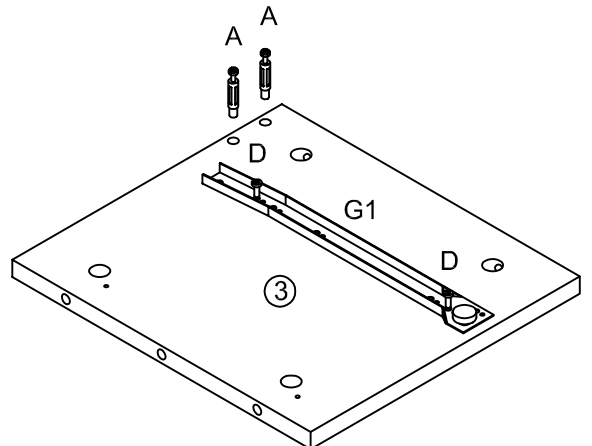
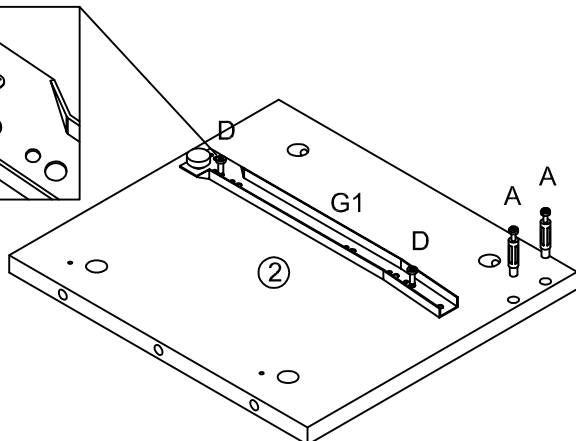
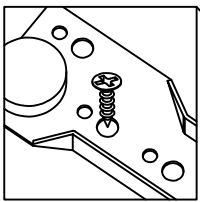
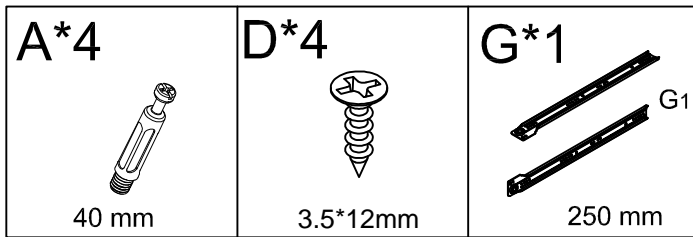
1



2



3

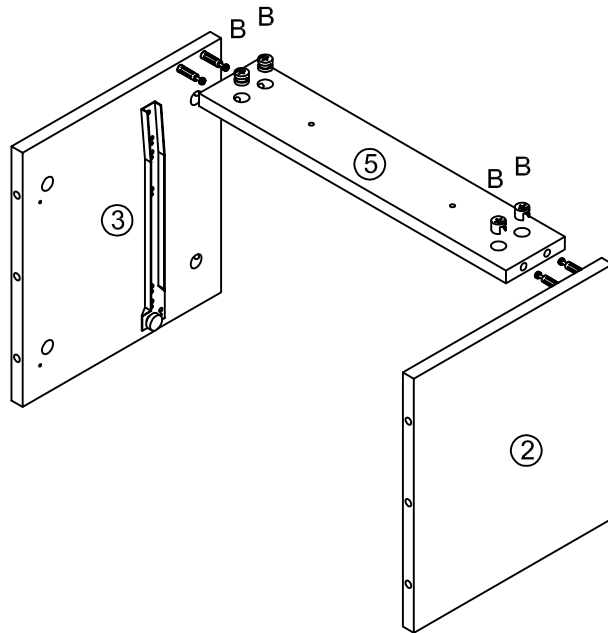


4

B*4

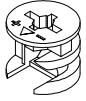


15*9 mm

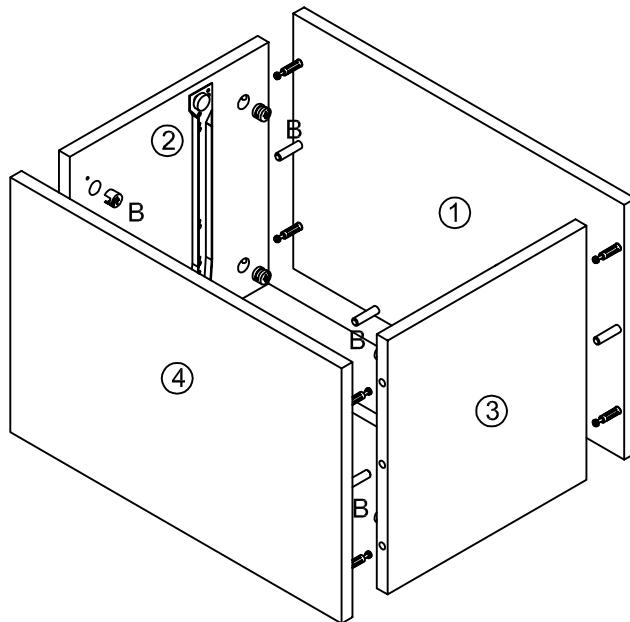


5

B*8



15*9 mm



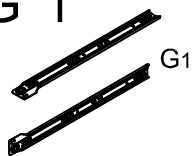
6

D*4

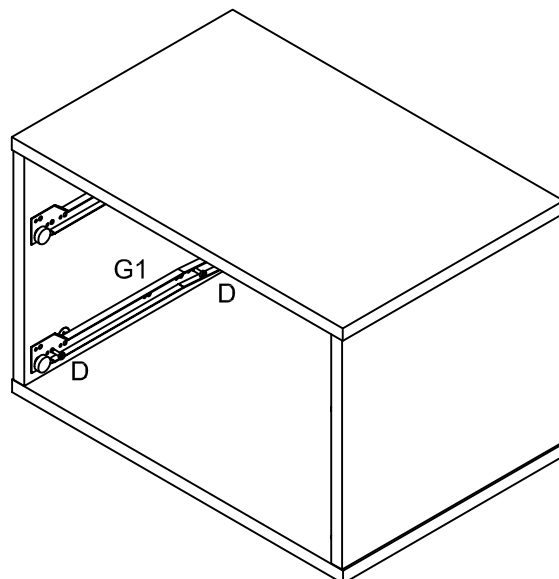


3.5*12mm

G*1

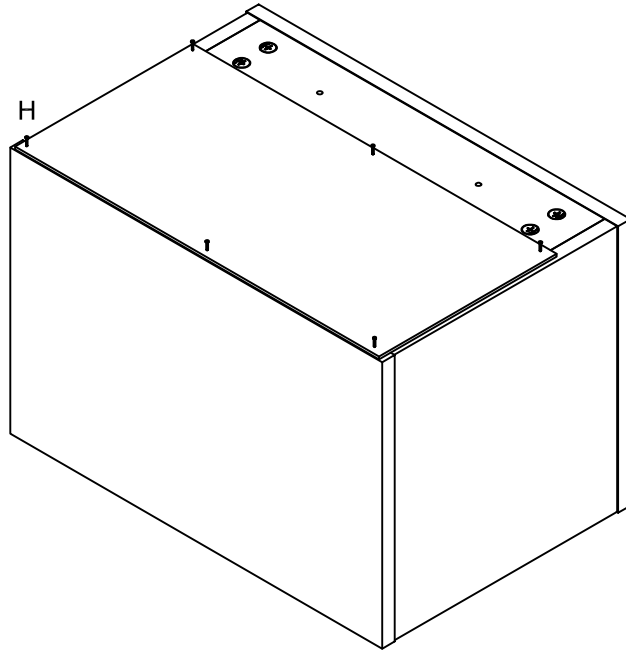


250 mm



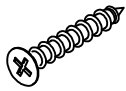
7

H*6

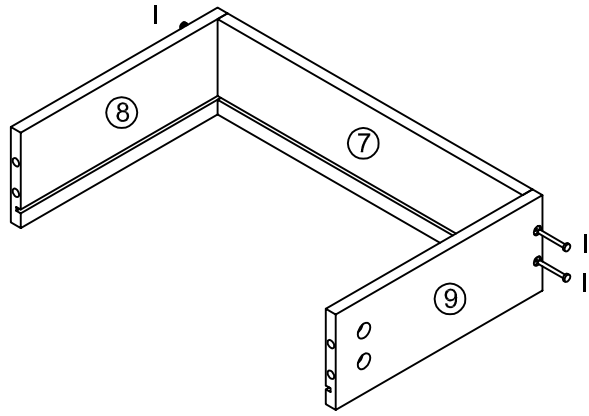


8

I*8

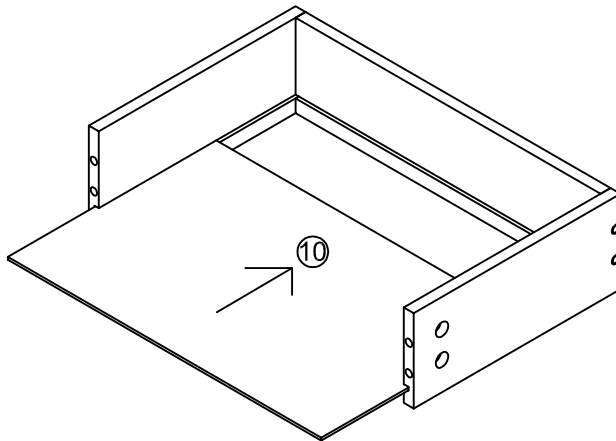


3.5*30 mm



x2

9



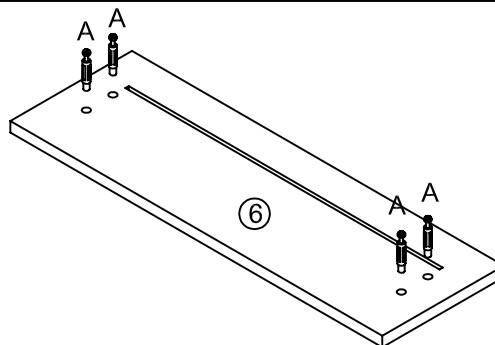
x2

10

A*8



40 mm



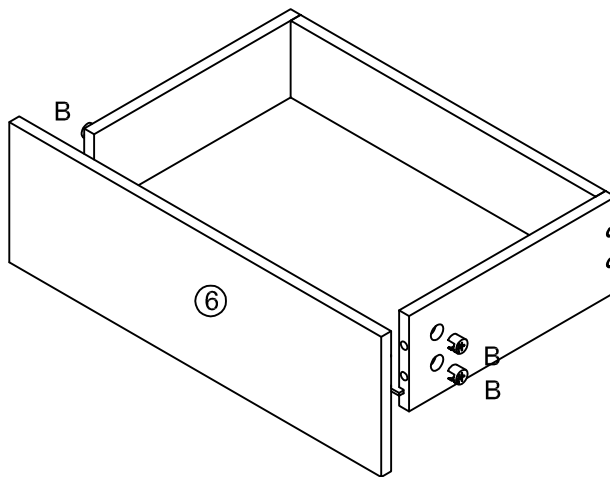
x2

11

B*8



15*9 mm



x2

12

D*8

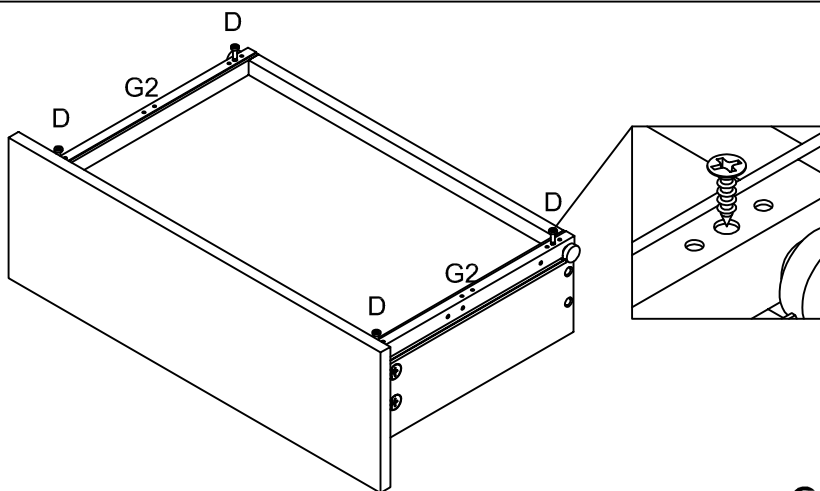


3.5*12mm

G*2



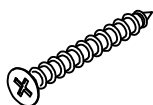
250 mm



x2

13

E*2



4*50mm

F*2



8*60mm

