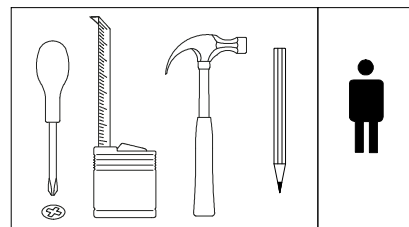
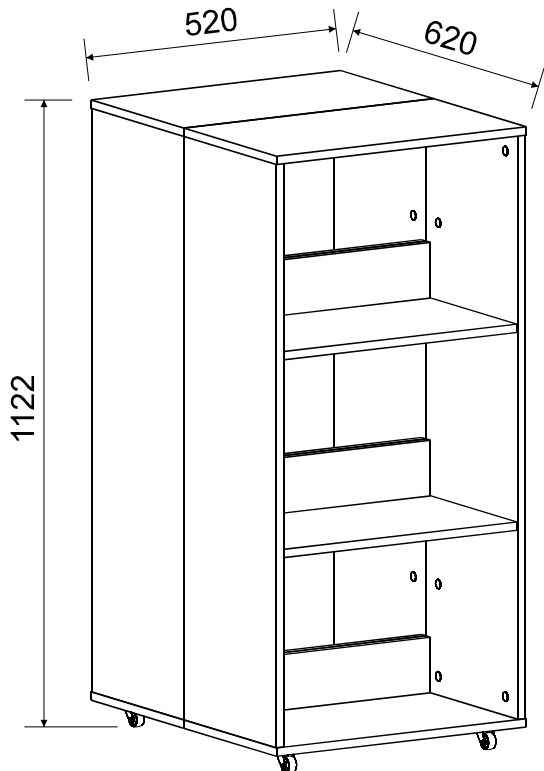
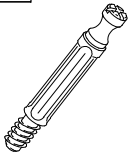

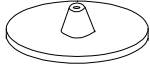
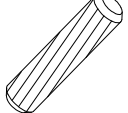
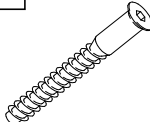
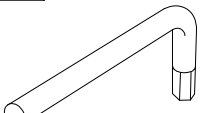
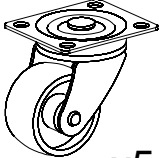
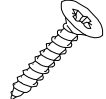


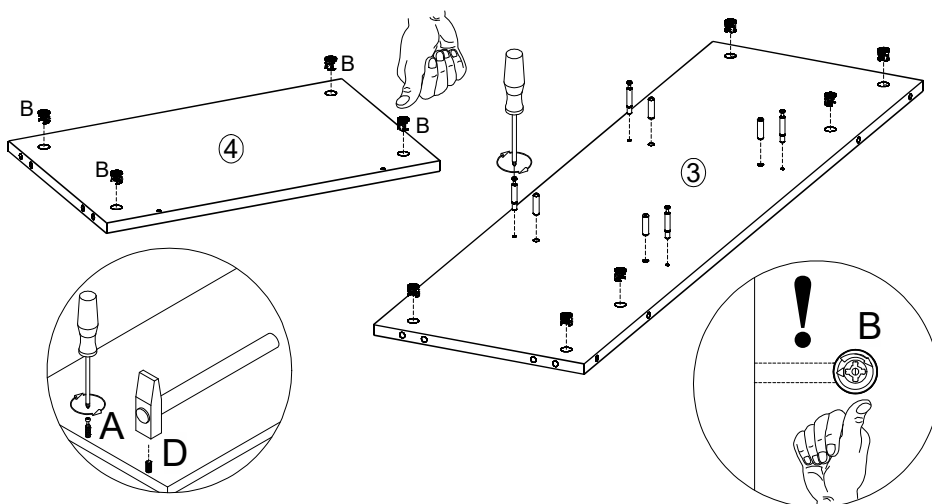
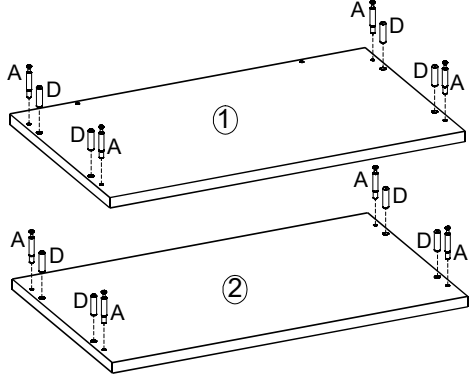
## Aufbauanleitung

Artikel: **VCM Standregal "Trinsa"**

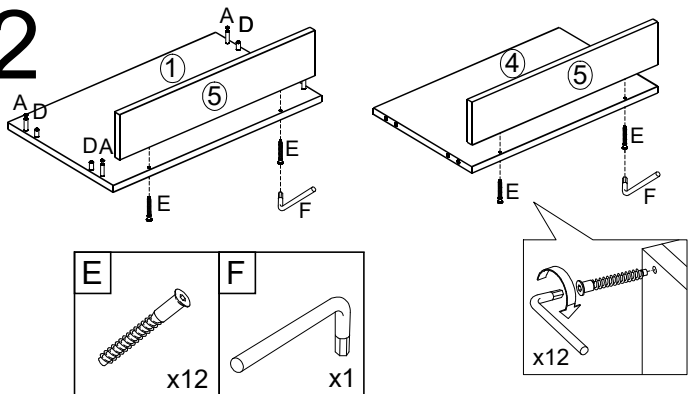


Büroschrank "Kinsa"				A	B	C
No	L	B	Pcs.			
1	520*	310**	2	 x32	 x40	 x40
2	520*	310**	2	D  x39	E  x12	F  x1
3	1050*	308	2		G  x5	H  3.5x16mm x21
4	488*	304	4			
5	488*	100	6			

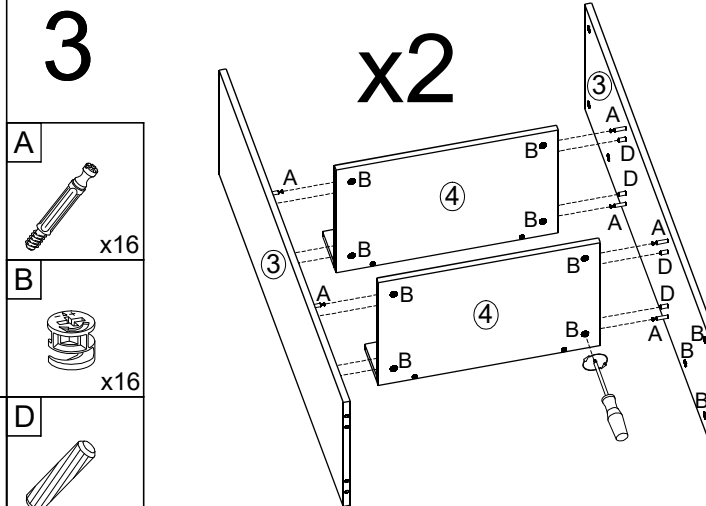
# 1



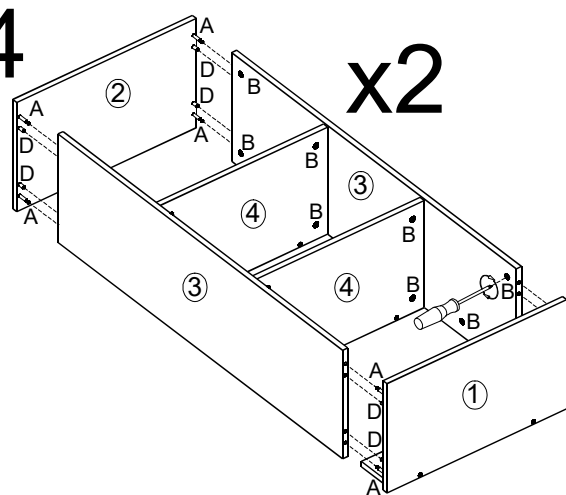
# 2



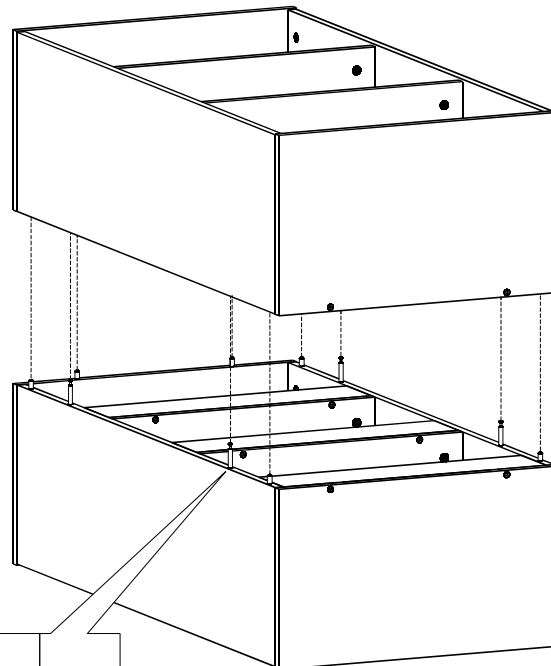
# 3



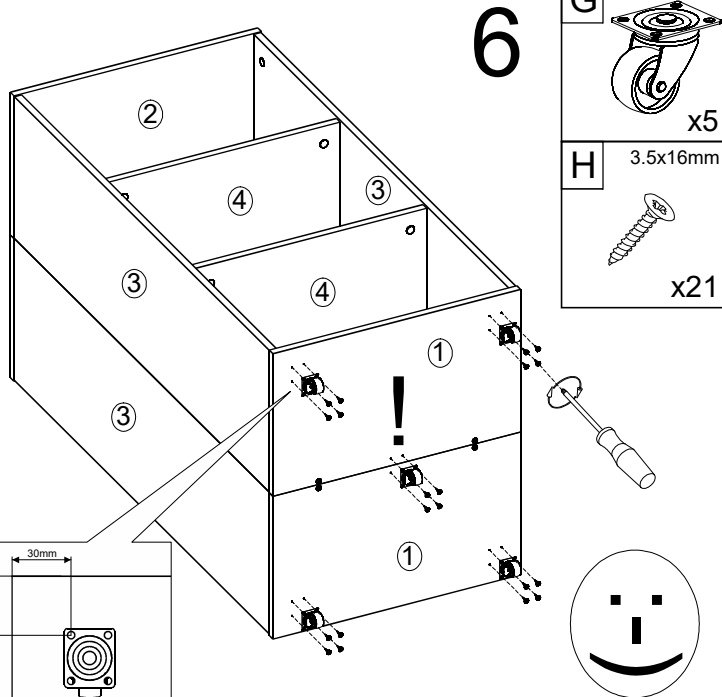
# 4



# 5



# 6



- |   |     |   |              |
|---|-----|---|--------------|
| A | x16 | D | x16          |
| B | x16 | I | L=68mm<br>x4 |
| D | x16 | D | x6           |
| B | x8  |   |              |

