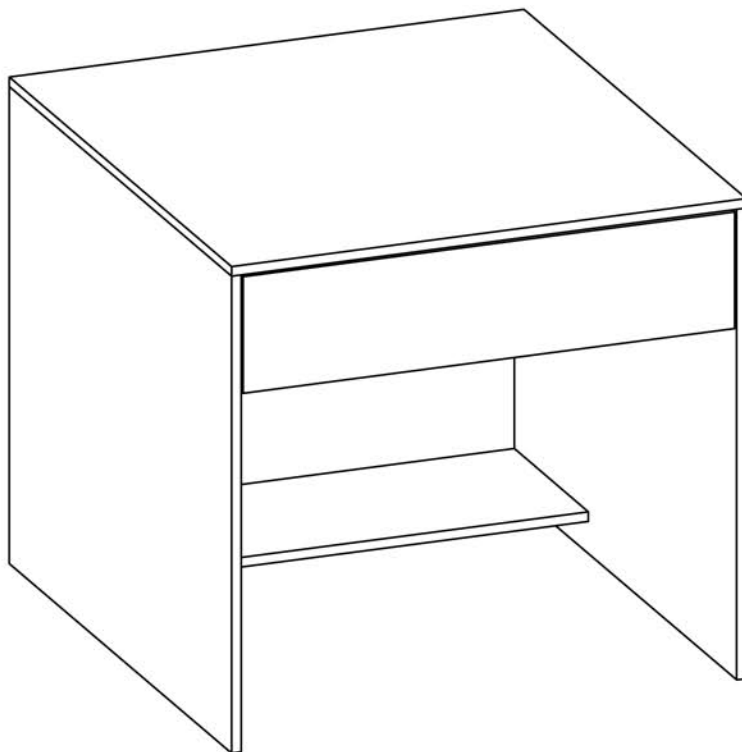
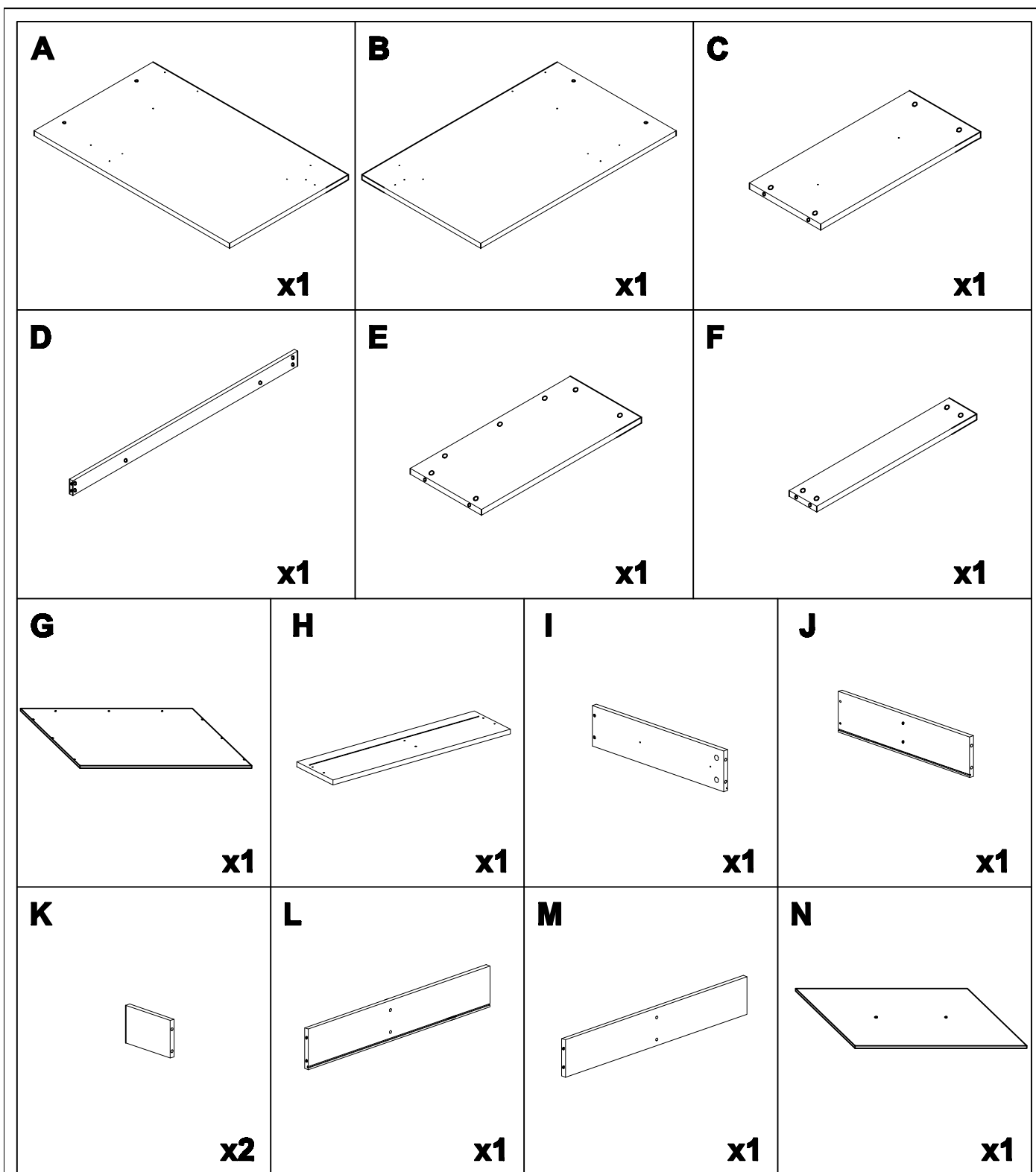


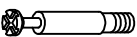



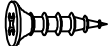
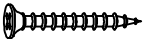


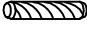


Tisch Nitola
Montageanleitung
Instruction manual

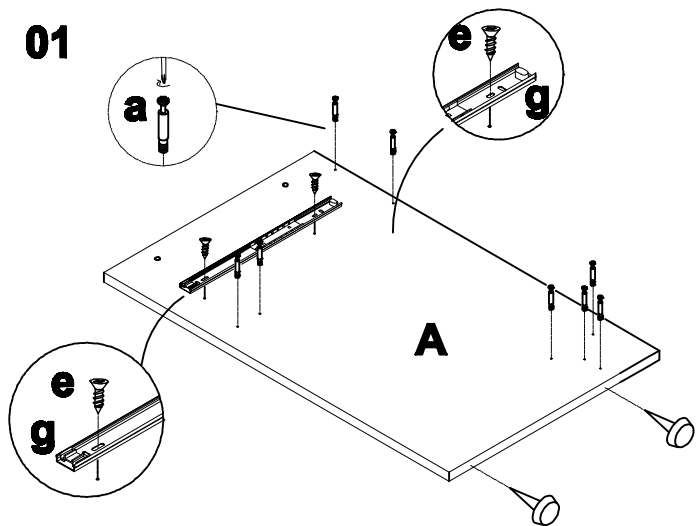


VCM Morgenthaler GmbH
D-79346 Endingen am Kaiserstuhl
service@vcm-gruppe.de
www.vcm-gruppe.de



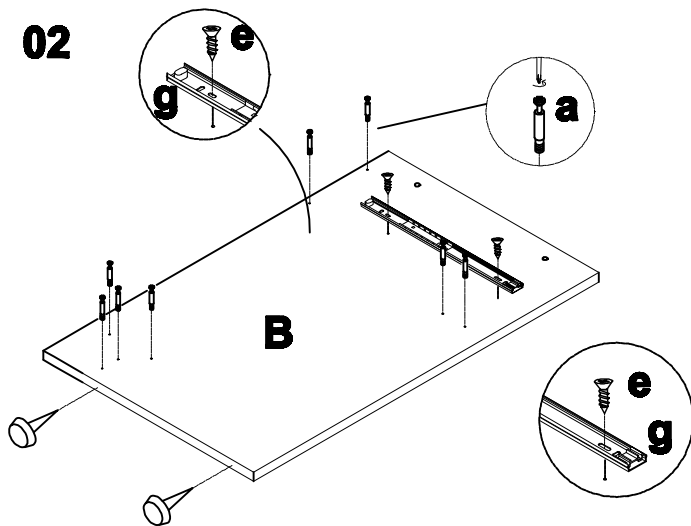
a	x29	b	x29	c	x5	d	x10	e	x10
									
						Ø6x40mm		Ø3.5x14mm	
f	x4	g	x2	h	x2	i	x2		
									
Ø4x35mm						Ø8x40mm			

01



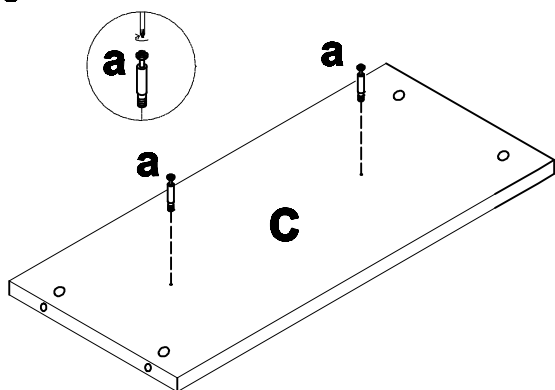
a	x8	c	x2	e	x2	g	x1
				Ø3.5x14mm			

02



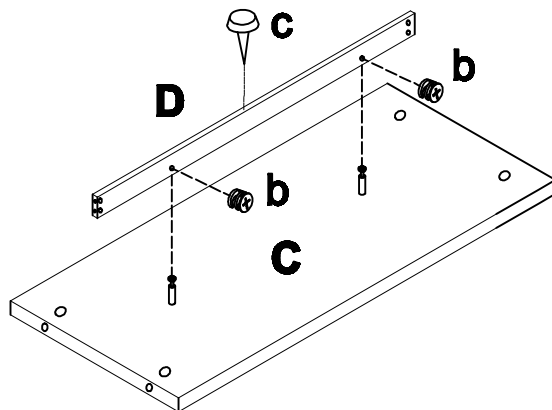
a	x8	c	x2	e	x2	g	x1
				Ø3.5x14mm			

03



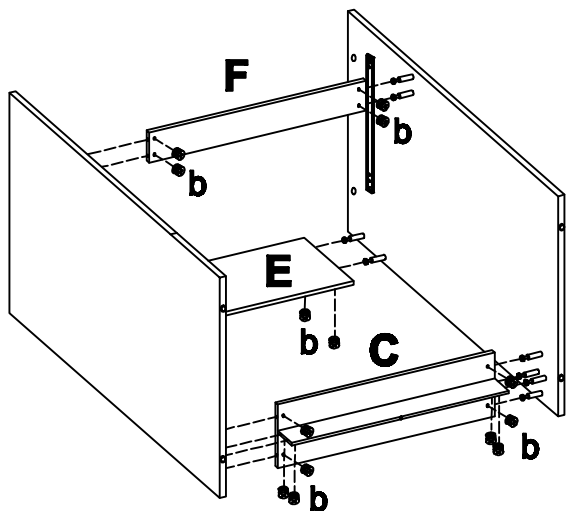
a	x2

04



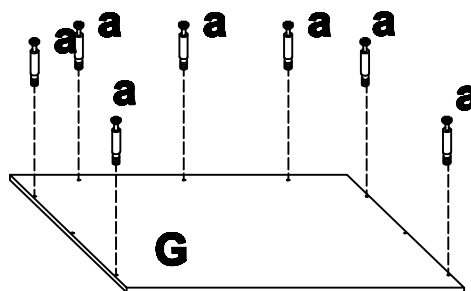
b	x2	c	x1

05



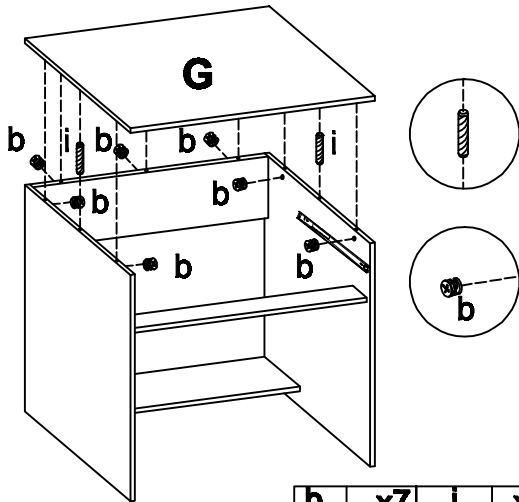
b	x16

06



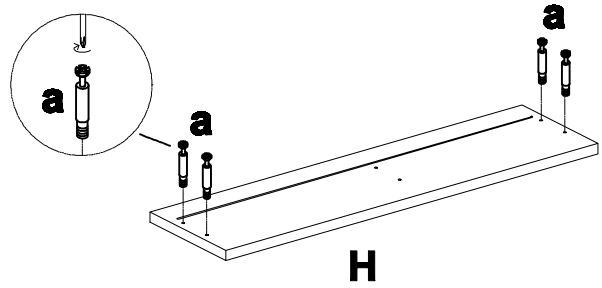
a	x7

07



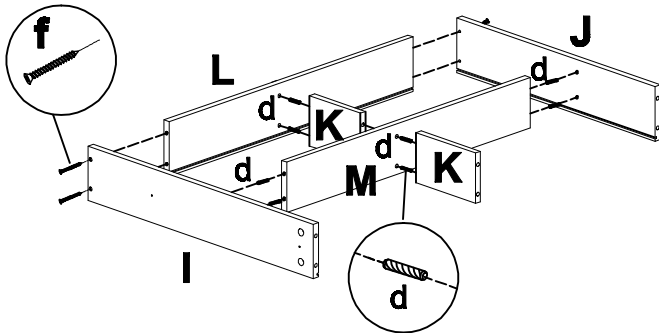
b	x7	i	x2
Ø6x40mm			

08



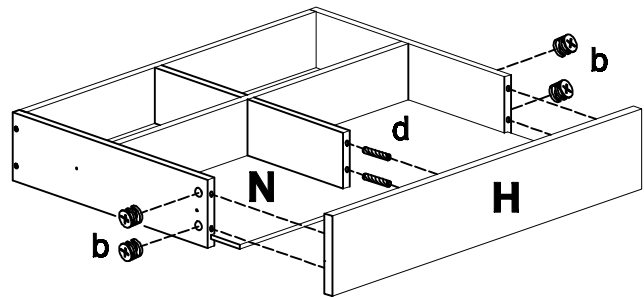
a	x4

09



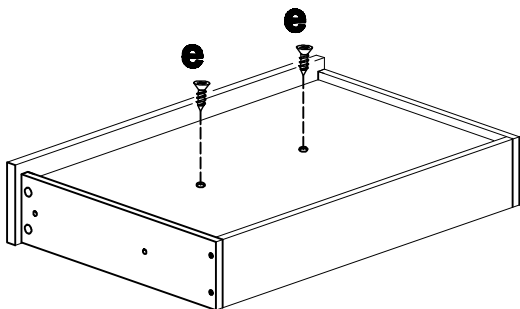
d	x8	f	x4
Ø6x40mm		Ø4x35mm	

10



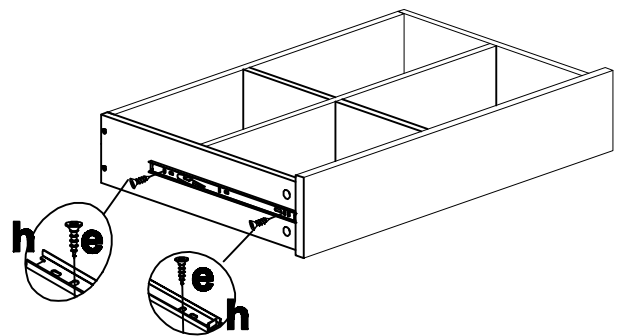
b	x4	d	x2
Ø6x40mm			

11



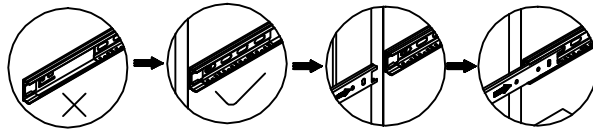
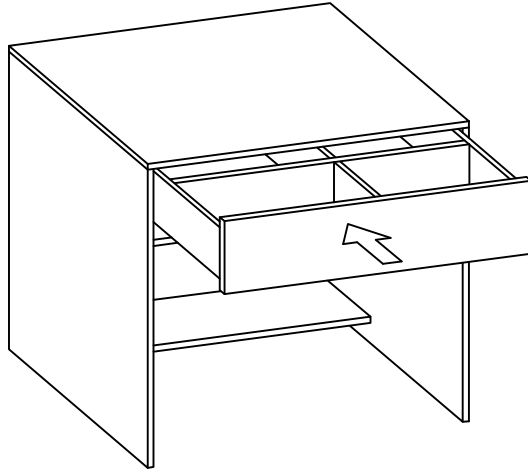
e	x2
Ø3.5x14mm	

12

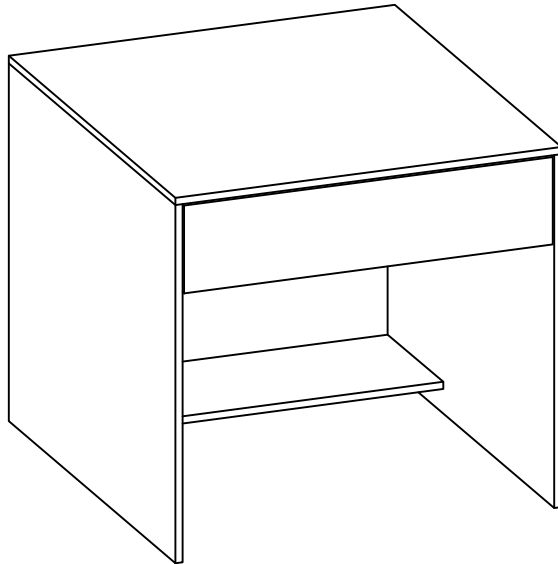


e	x4	h	x2
Ø3.5x14mm			

13



14



15