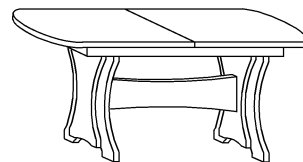
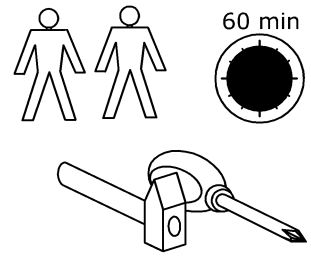


VCM Couchtisch Tradosa

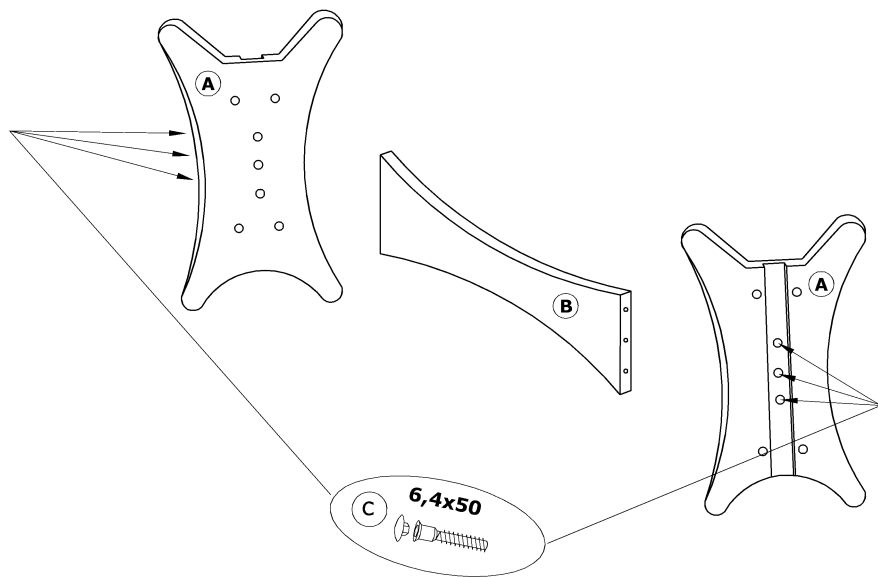
→ 116/158 ↑ 58,5-71,5 ↘ 51



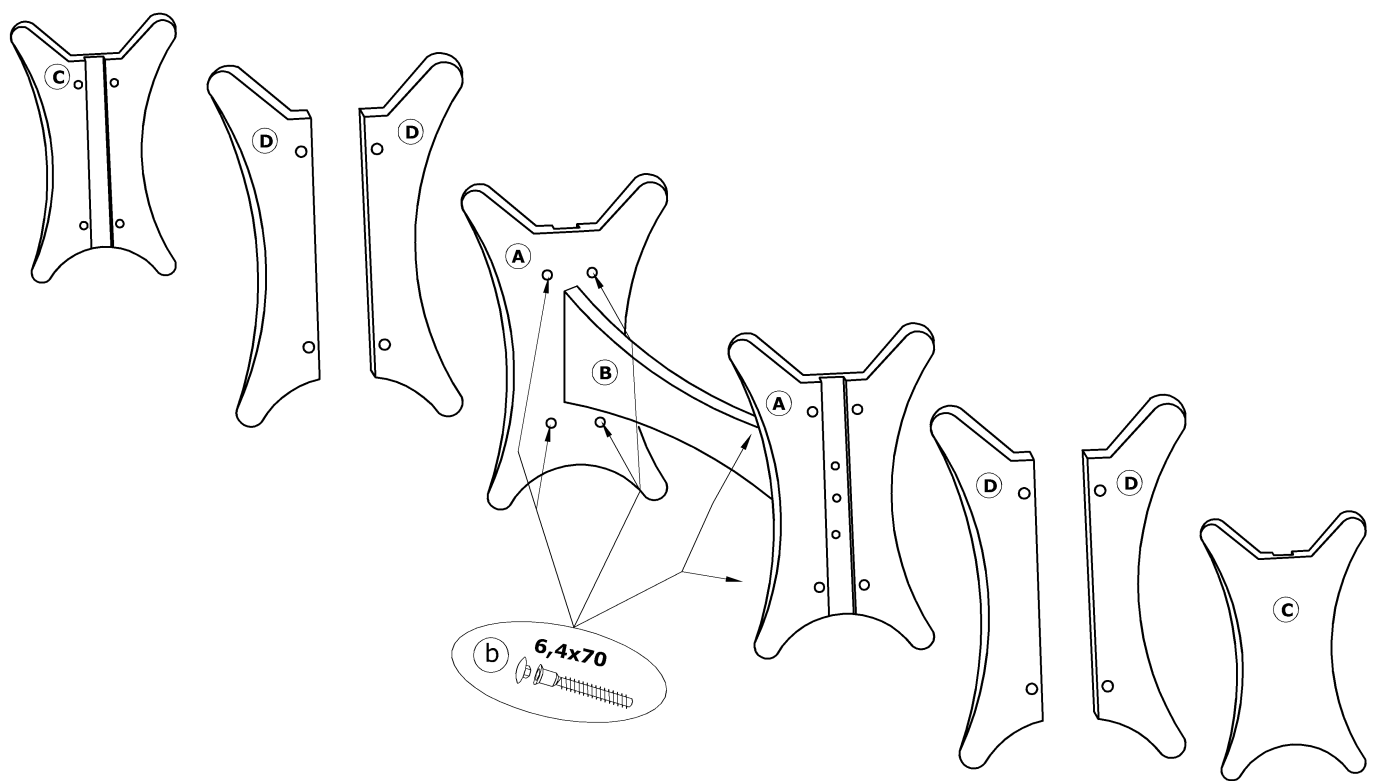
x 12 a	x 8 (6,4x70) b	x 14 (6,4x50) c	x 4 d	x 4 e	x 4 f
x 4 g	x 4 h	x 2 i	x 1 j		
x 2 k	x 2 l	x 8 (3x16) o	x 42 (3,5x16) p	x 4 (3,5x30) r	 s



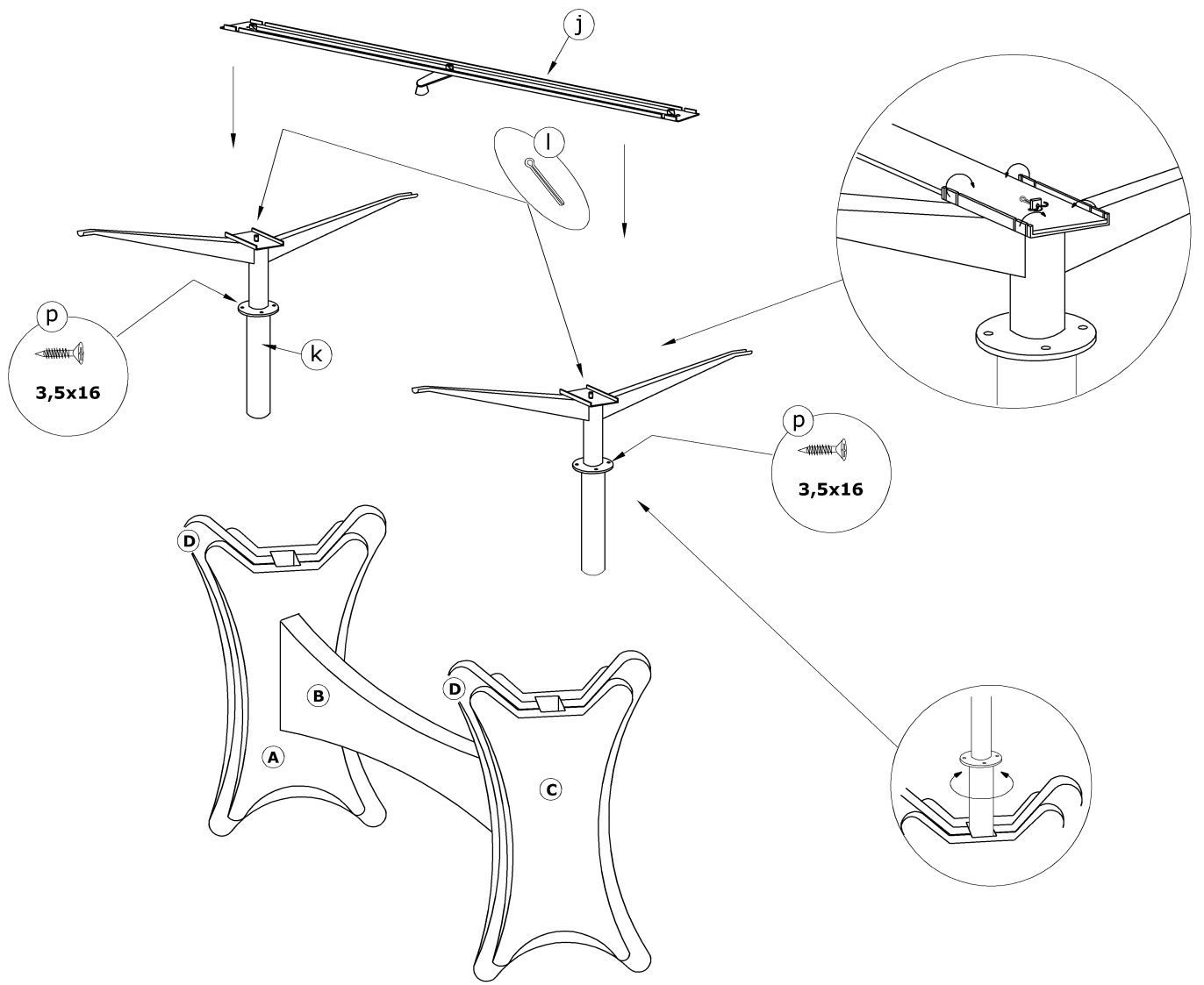
1



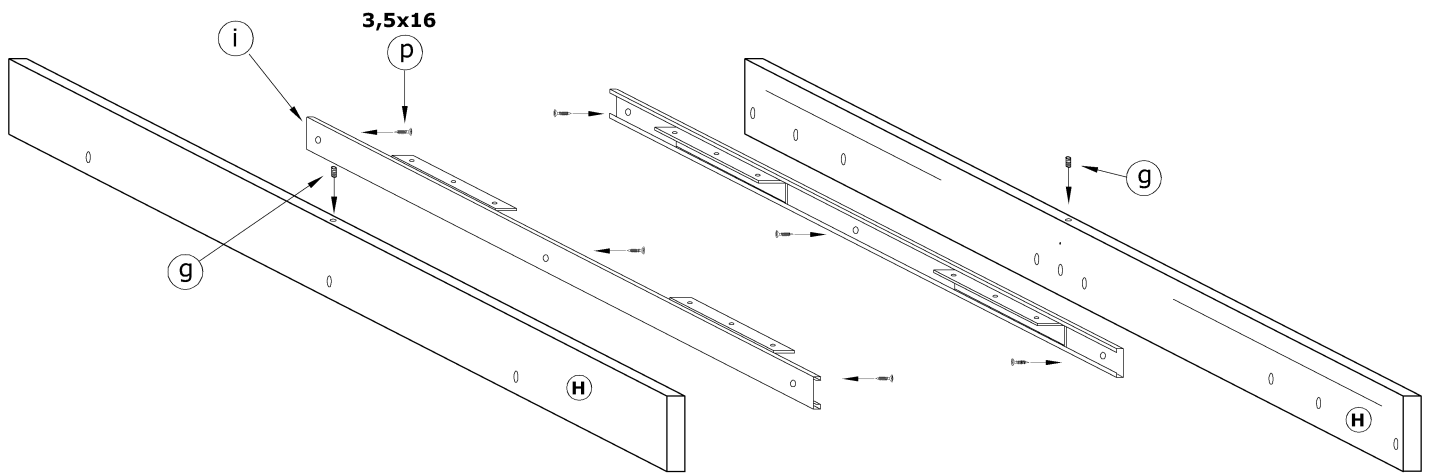
2



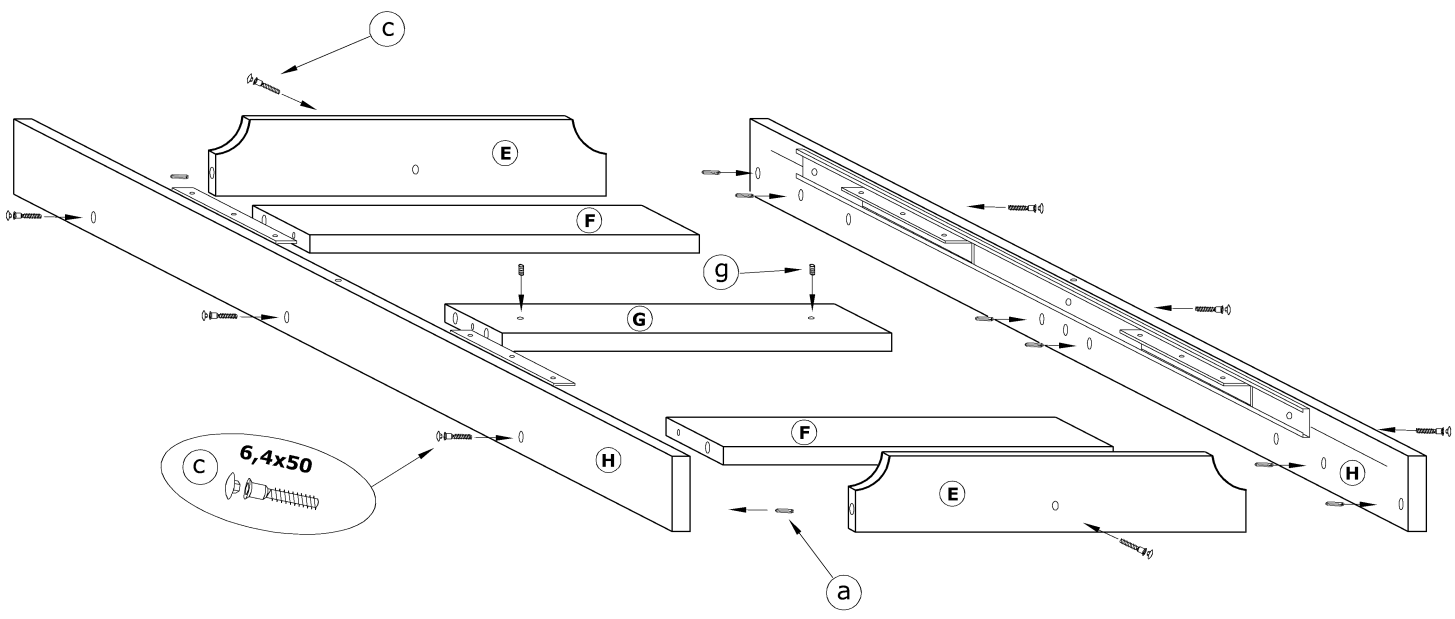
3



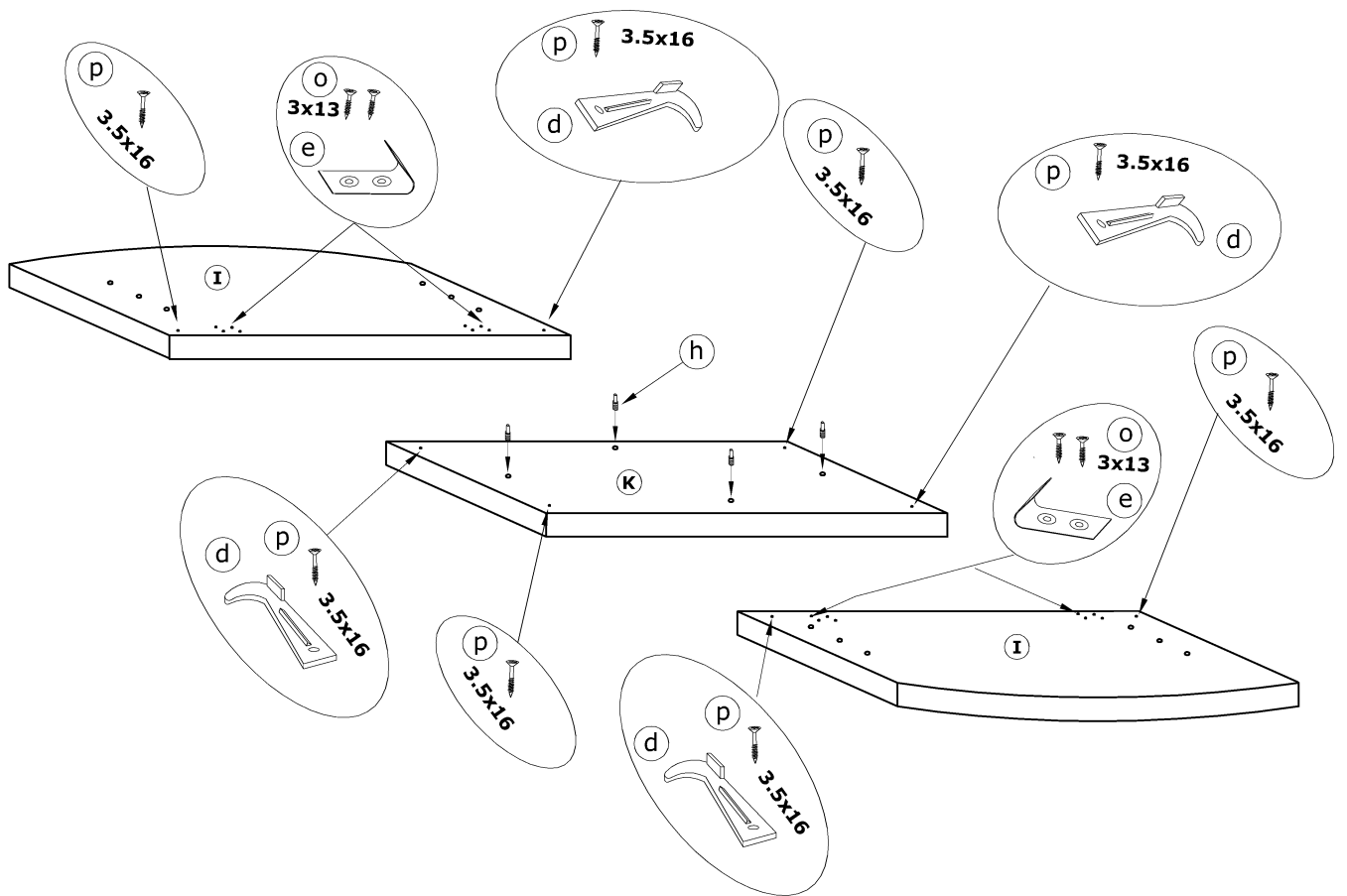
4



5



6



7

